



Retract-a-Rack™ ASSEMBLY INSTRUCTIONS

FOR INSTRUCTION ASSISTANCE CALL

888-664-0026

Weekdays 8AM-5PM Eastern Time
or visit www.Retract-a-Rack.com



RDS Systems, LLC
3093 Caruso Court
Suite 40B
Orlando, FL 32806
(888) 664-0026
retract-a-rack.com

131012-5

⚠ CAUTION

IT IS THE USER'S RESPONSIBILITY TO ENSURE THE SAFE AND PROPER USE OF THIS PRODUCT.

Read and follow all safety, installation and operation instructions. If you have any questions call the customer service number. **DO NOT** - use the Retract-a-Rack on ceilings lower than 94". **DO NOT** - attach mounting bracket to rotting wood or drywall. **DO NOT** - exceed maximum gear weight of 30 pounds. Make sure the pull cord is at least 6 feet above floor. Make sure to assemble and mount the rack using all included hardware. Always secure items attached to the Retract-a-Rack with the included straps. **Warning:** Misuse of this product could result in serious injury or death. Do not allow children to play with or use this product.

Tools required for assembly:

- Electric drill
- 3/16" drill bit (included)
- 1/2" socket driver for drill
- Phillips screwdriver
- 9/16" wrench, allen wrench

Part list for the Retract-a-Rack:

Part	QTY	Description
A	(1)	mounting bracket
B	(1)	body bracket
C	(1)	bracket tube
D	(1)	front spine
E	(1)	rear spine
F	(1)	spine connector
G	(1)	release bar
I	(1)	spine cover

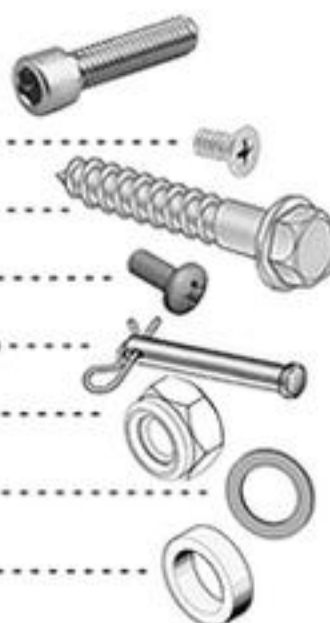
Part	QTY	Description
J	(1)	front arm (left)
K	(1)	front arm (right)
L	(1)	rear arm (left)
M	(1)	rear arm (right)
N	(2)	gas operated struts
O	(1)	pull cord
P	(1)	rack handle (attached)
R	(1)	hinge lock

Weight allowance:

Maximum equipment weight
30 lbs. / 13.6 kg
Do not exceed maximum combined equipment weight.

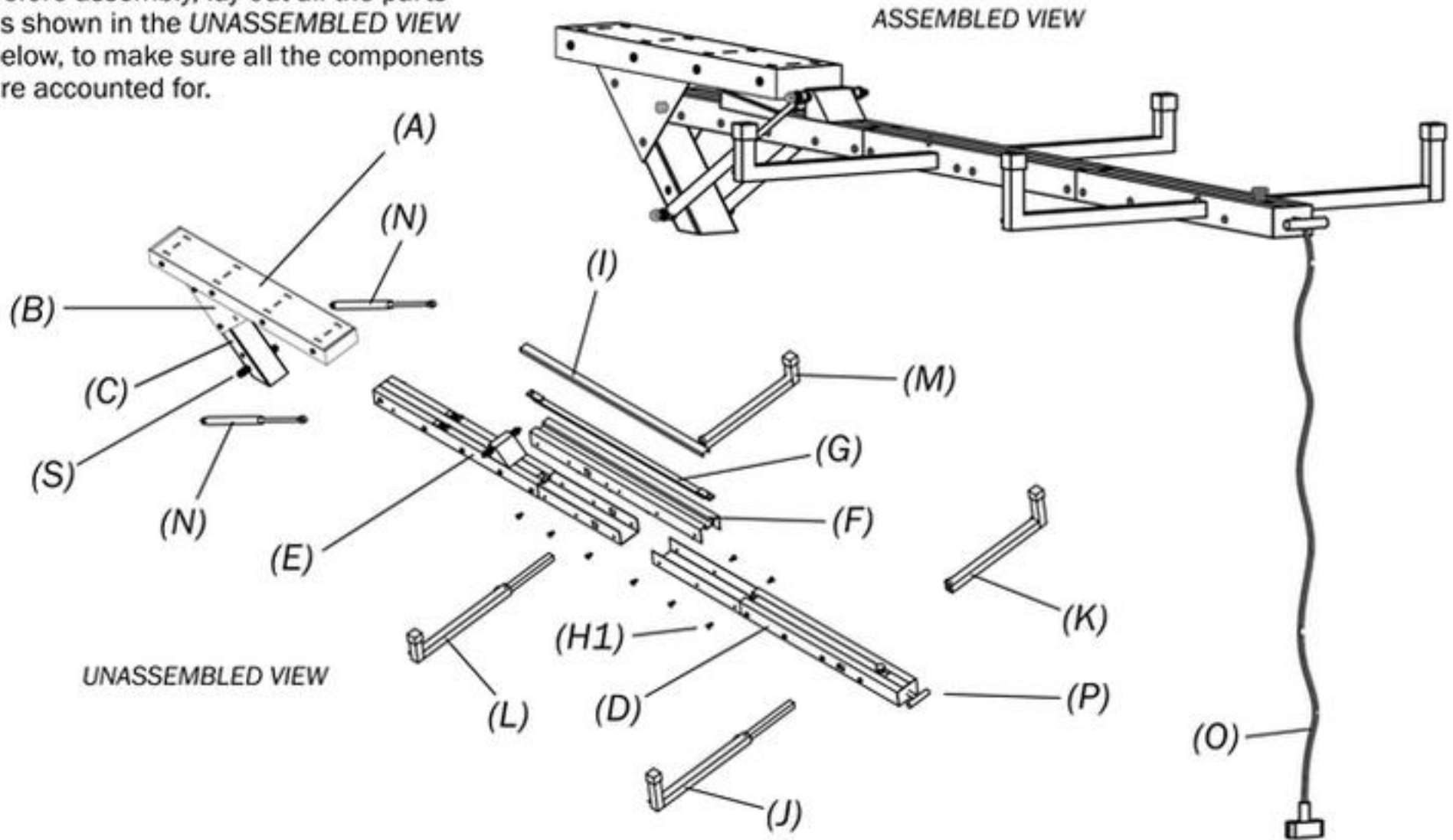
Hardware list for the Retract-a-Rack: (parts not shown are not to scale)

Part	QTY	Description
H1	(34)	allen bolts
H3	(4)	flathead screws
H4	(4)	2" lag screws
H5	(4)	small pan head bolts
H6	(1)	hinge pin w/ locking clip
H7	(4)	large lock nuts
H8	(4)	nylon washers
H9	(4)	nylon spacers



Assembly Overview

Before assembly, lay out all the parts as shown in the *UNASSEMBLED VIEW* below, to make sure all the components are accounted for.



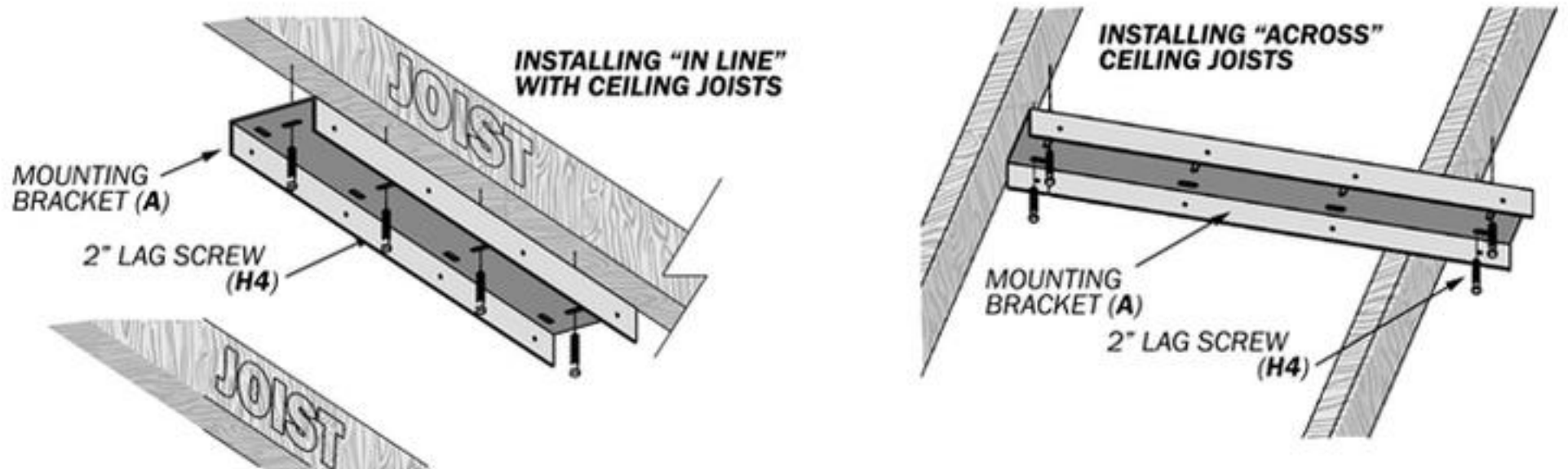
Pre-Installation Considerations

Take time to determine the best location for installing the Retract-a-Rack. Keep in mind that you will need a clear area of 94" x 40" on your ceiling. Be sure to allow adequate room underneath the front end for you to stand as you operate your Retract-a-Rack, considering many objects will extend past the handle when stored on the rack. The mounting bracket must be fastened to the structural beams, joists or trussing above your ceiling. Do not attempt to install the mounting bracket using drywall anchors of any type. It may be necessary to provide wood blocking between joists if your desired location for the mounting bracket is between two joists. If you have a concrete ceiling, you will need to use (4) concrete anchors (not supplied) capable of supporting 200 pounds each. If you have questions about installation of the mounting bracket or assembly of the rack please STOP progress and call 888-664-0026.

STEP 1 - Install the Mounting Bracket

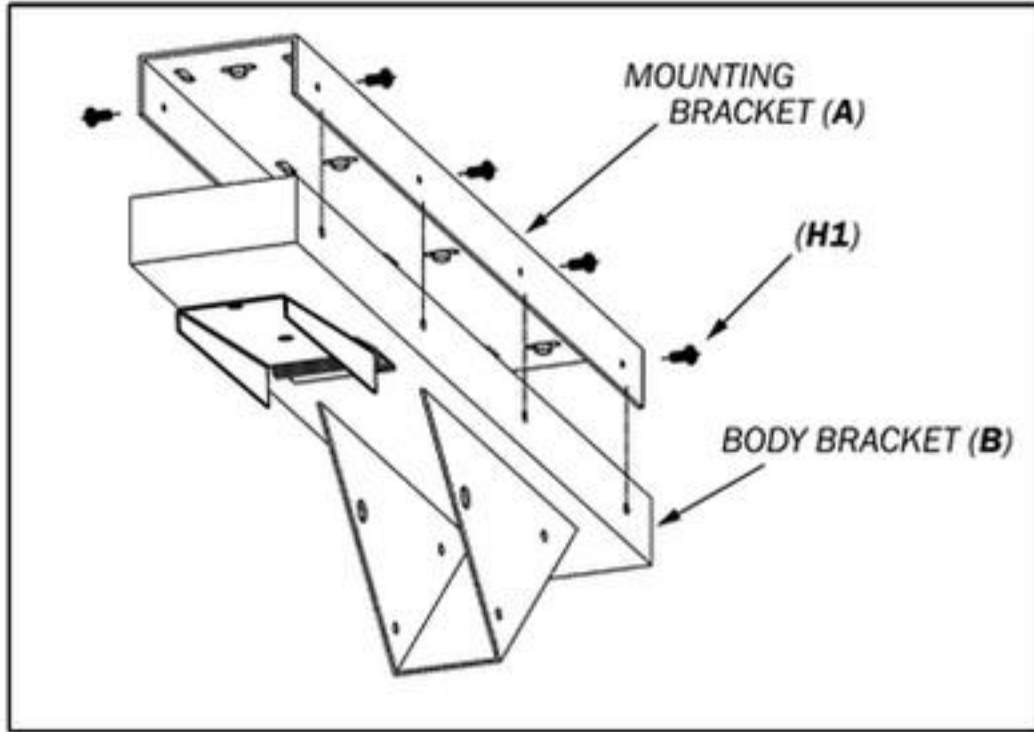
Determine where the mounting bracket (A) will be installed. Locate the studs / joists above the ceiling (Note: the mounting bracket must be attached securely to the joists above the ceiling or injury could occur). Determine which way your joists are running in your ceiling, and install mounting bracket (below). Using the slots in the mounting bracket as a template, use pencil to mark the ceiling, and drill pilot holes using a 3/16" drill bit. Be sure to use a minimum of (4) 2" lag screws (H4).

WHAT IS THE ORIENTATION OF THE JOISTS INSIDE YOUR CEILING?



Step 2 - Install the Body Bracket

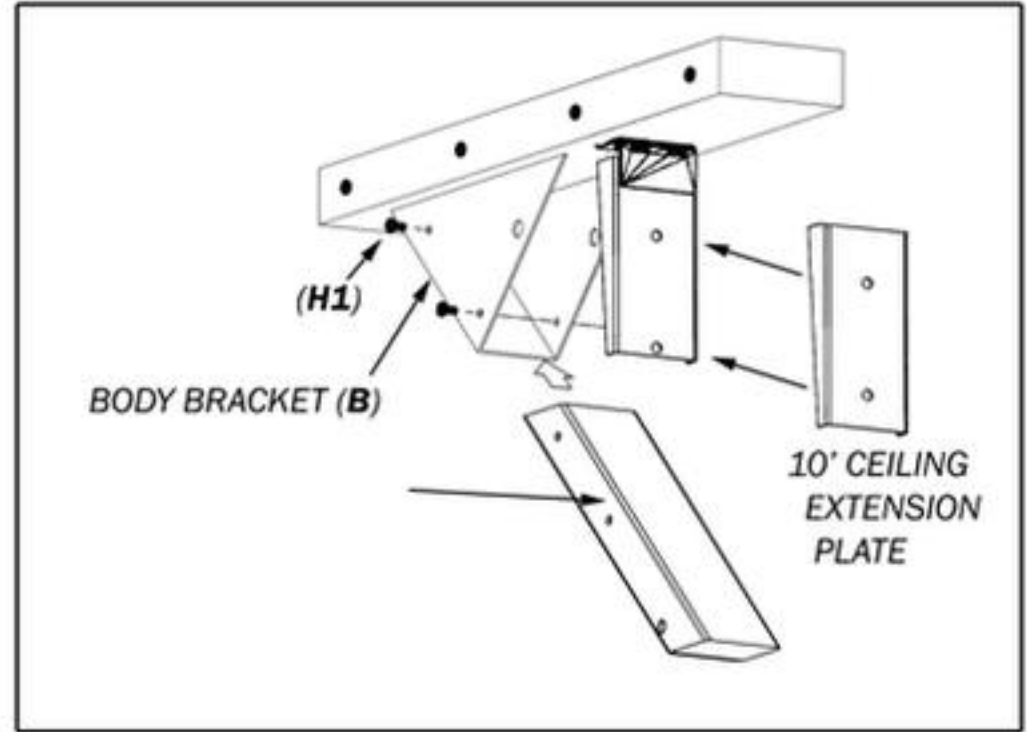
Using (8) allen bolts (**H1**) attach Body Bracket (**B**) to Mounting Bracket (**A**) as shown.



Step 3 - Install Bracket Tube

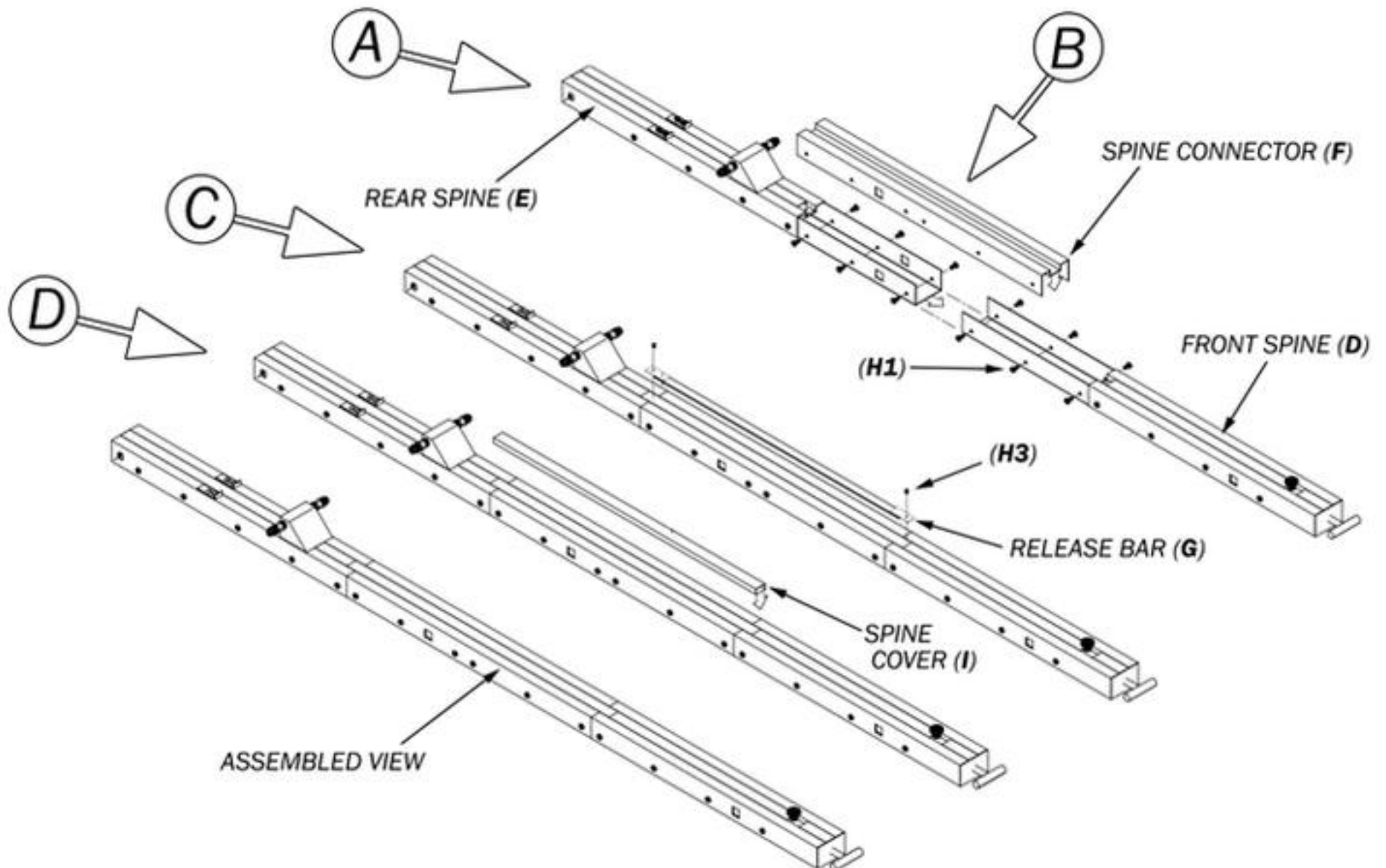
Using (4) allen bolts (**H1**) attach Strut Tube (**C**) to Body Bracket (**B**).

NOTE: If you have a 10' ceiling height, attach the ceiling extension plate using the hardware included.



Step 4 - Assemble Spine

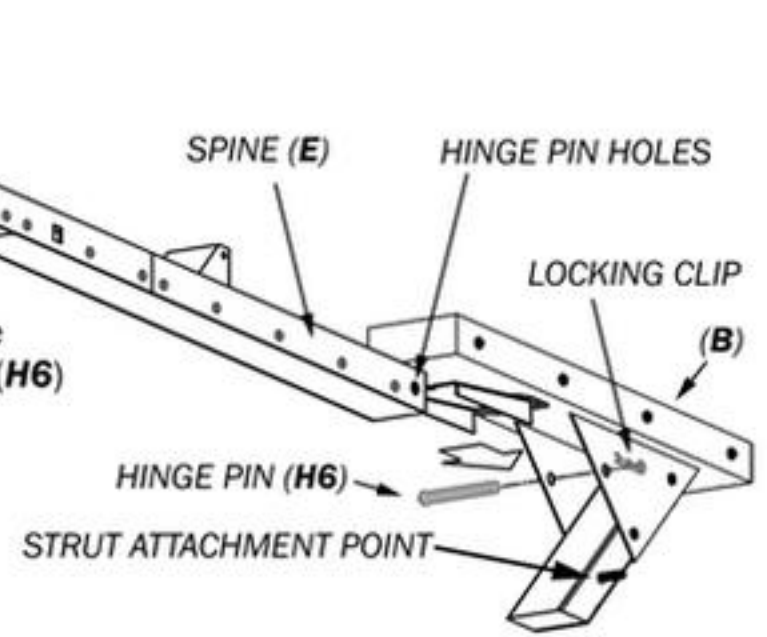
Sequence "A" - Set Front Spine (**D**) and Rear Spine (**E**) end to end. Sequence "B" - Attach Spine Connector (**F**) using (8) allen bolts (**H1**). Sequence "C" - Assemble Release Bar (**G**) using (2) flat head screws (**H3**). Sequence "D" - Attach Spine Cover (**I**) by pressing it into place.



Step 5

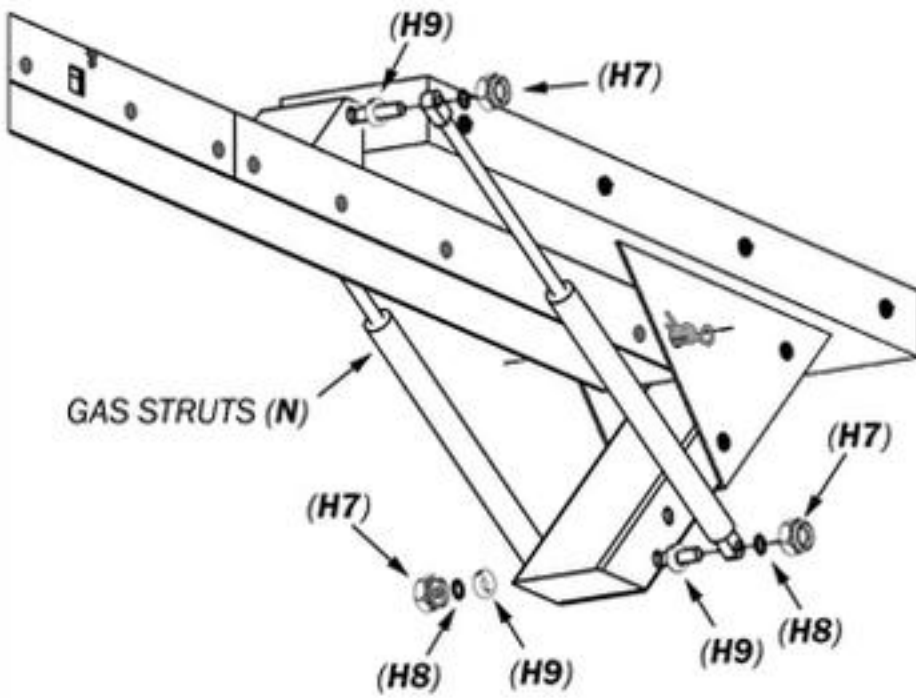
Attach Spine to Body Bracket

Hold the Spine (E) in place and align the Hinge Pin holes with the indicated holes on the Body Bracket (B). Insert the Hinge Pin (H6) through the Body Bracket (B) and Spine. Insert Locking Clip through the end of Hinge Pin (H6) to lock pin in place.



Step 6 - Attach Gas Struts & Pull Cord

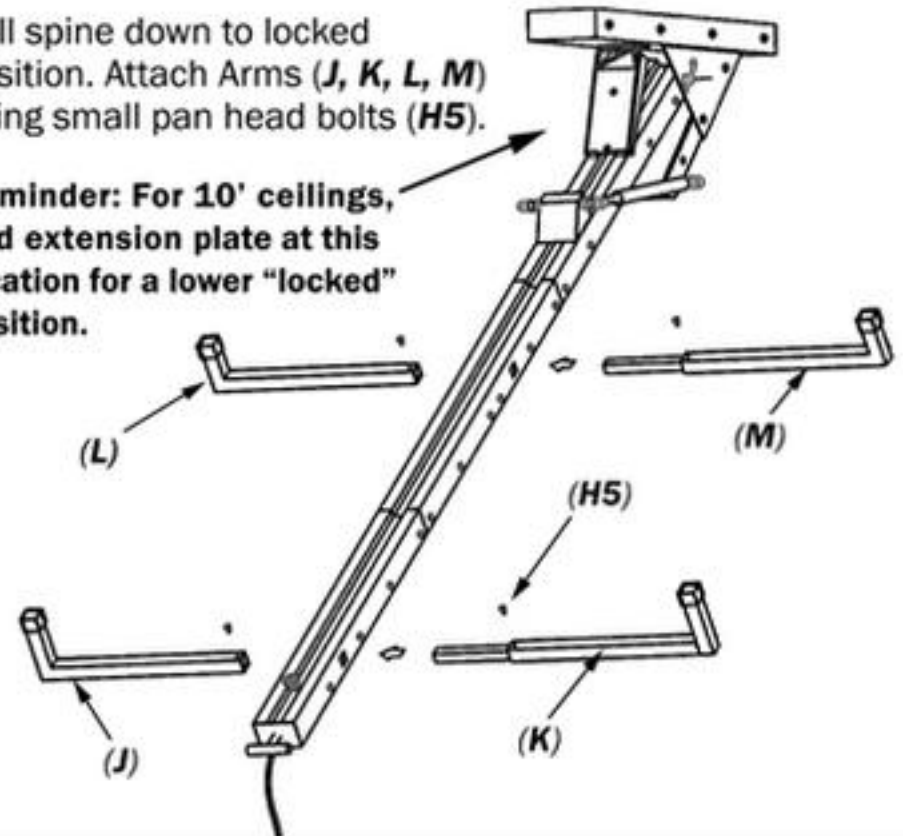
Attach Pull Cord (O) to Handle (P) (not shown). Lift rack and attach Gas Struts (N) using Nylon Washers (H8) and Large Lock Nuts (H7). Place Nylon Spacers (H9) between Gas Struts and Bracket Tube at the lower connection, and between Gas Struts and Spine at the upper connection.



Step 7 - Attach Front & Rear Arms

Pull spine down to locked position. Attach Arms (J, K, L, M) using small pan head bolts (H5).

Reminder: For 10' ceilings, add extension plate at this location for a lower "locked" position.



Operating Instructions

To lower the rack: (a) Pull on the cord until the rack handle is within reach, (b) grab the rack handle and continue pulling down until the locking mechanism engages.

To load the rack: Place items on arms and secure all equipment with the included straps.

To raise the rack: (a) hold on to the rack handle and firmly press the rack down, (b) pull the release knob towards you and slowly allow the rack to move up until the locking mechanism is cleared, (c) continue to allow the rack to slowly raise until it is fully retracted.

LIMITED WARRANTY

CONSUMER PRODUCT WARRANTY INFORMATION

This Retract-a-Rack™ product is warranted to the original purchaser for a period of one (1) year. If there is a failure of product due to defects in material and/or workmanship, RDS Systems, LLC will, without charge and upon proof of purchase, repair / replace at our own discretion. To notify about a defective product, please call RDS Systems to receive a Return Authorization Number and to discuss our shipping policies. Warranty is void if product is subject to misuse, abuse, alteration, improper assembly, accident, if used for other than designated purpose or if maximum load capacities are exceeded. This warranty is not transferable and does not cover chipping, flaking, scratches, rust, dents, or other damages to finish or surface of the product. Responsibility of RDS Systems, LLC is limited to repair or replacement of product. RDS Systems, LLC is not responsible for consequential, incidental, or other damage or losses resulting from product failure. **THIS WARRANTY IS IN LIEU OF ALL OTHER EXPRESSED WARRANTIES. SOME STATES DO NOT ALLOW THE EXCLUSION OR LIMITATION OF INCIDENTAL OR CONSEQUENTIAL DAMAGES, SO THE ABOVE LIMITATION MAY NOT APPLY TO YOU.** In case of product failure, damaged or defective material, refer to RDS Systems, LLC 635 West Michigan St. Orlando, FL 32805 or call 888-664-0026.